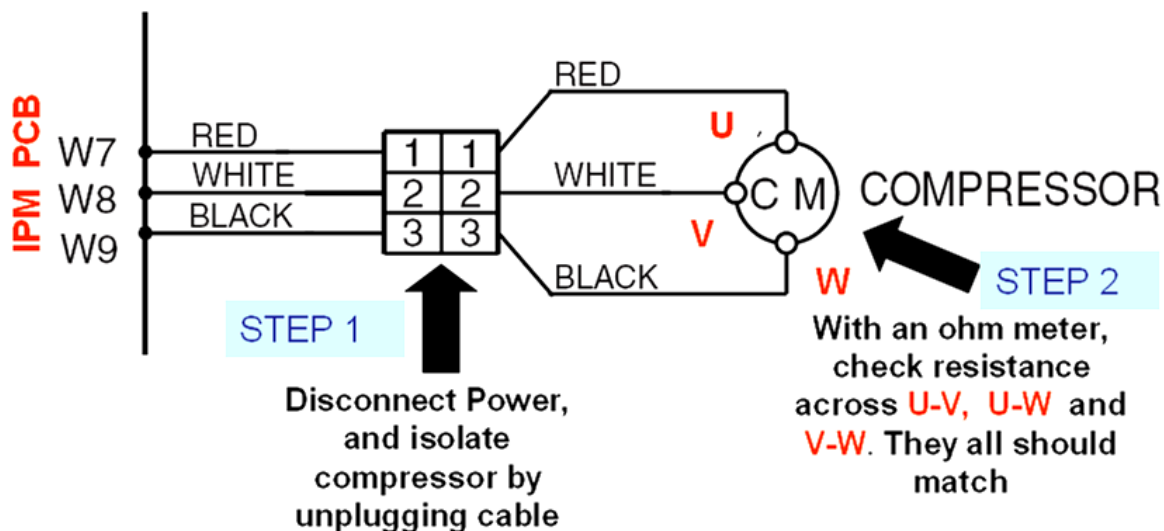


Checking an Inverter Compressor

Inverter DC Compressors differ from the AC type. While resistance across the Start, Run and Common terminals of AC compressors are not the same, DC type compressors terminal resistances are.

Terminals on a DC type compressor are labeled U, V and W as opposed to Common, Start and Run. Resistance is the same across of any two terminal of the compressor (U-V, V-W or W-U). Although resistance may be the same, it will vary according to the compressor temperature. Below is a simple way to test if a compressor is open or shorted.



RESISTANCE VALUE WILL VARY DEPENDING ON THE TEMPERATURE OF THE COMPRESSOR.