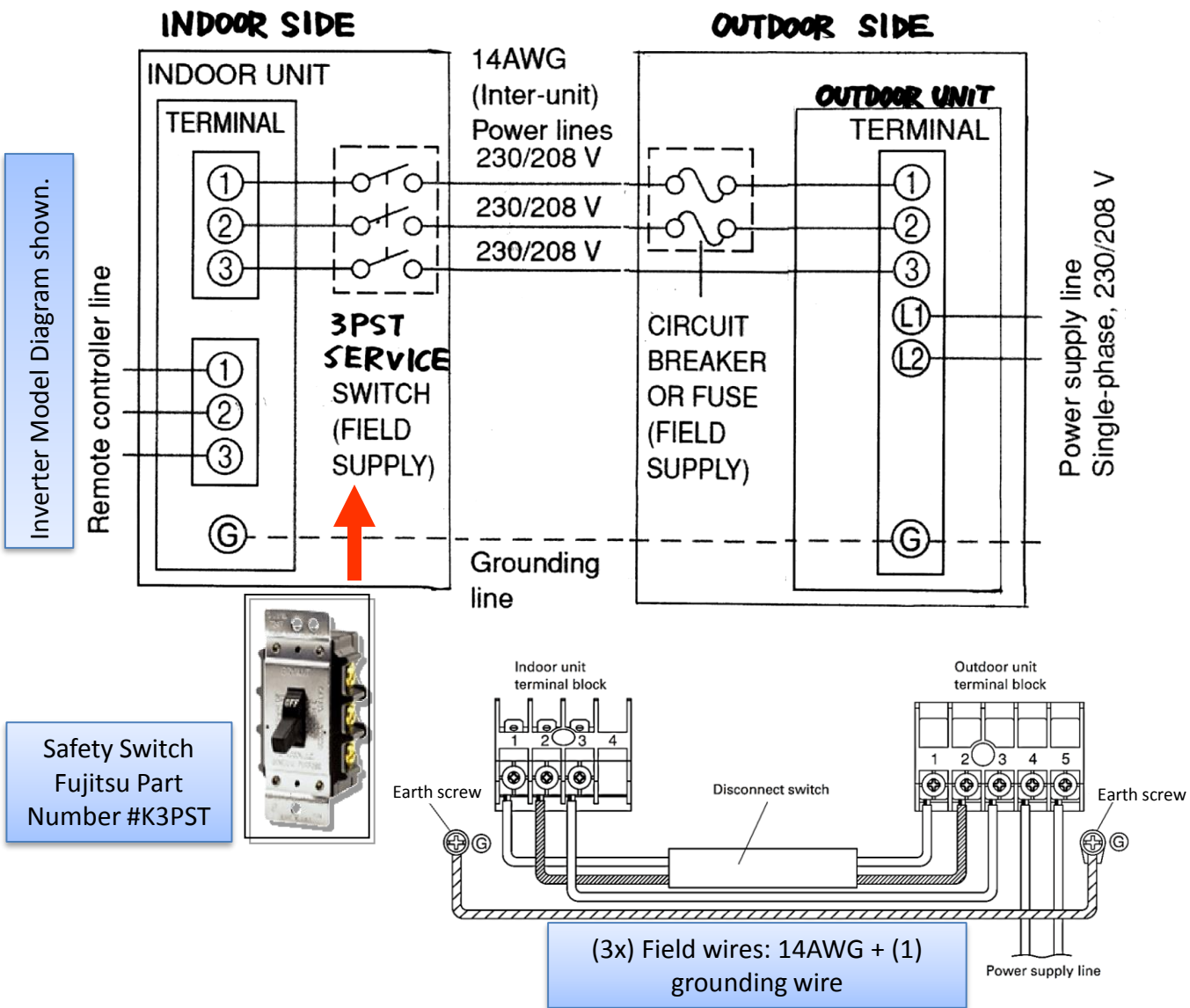


Installation of Disconnect Switch

The disconnect switch found on the installation manual diagram is a recommendation based on the National Electrical Code and should be installed if the local code mandates. For over current protection the circuit breaker or fuse must be installed if called for in the installation manual. The parts shown below can be purchased through your distributor or your local electrical supply store.



Installation of Disconnect Switch & Fuse

Multi-zone Installation- Fuse kit should be installed on the line side of Terminal 1 at the outdoor unit (Condenser) for each indoor unit (Evaporator). 4 Kits required for the 36KBTU and 2 for the 24KBTU multi-zone condensers.

