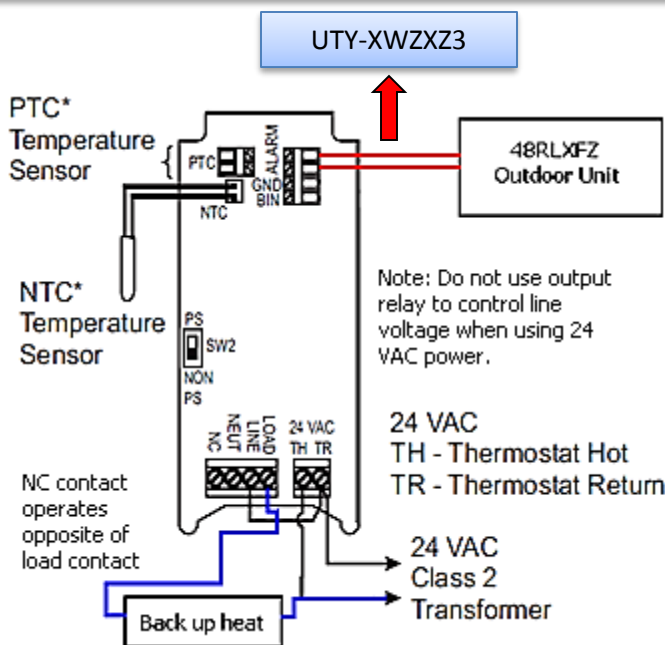


Secondary Heat Source – 48RLXFZ(1)

In locations where weather conditions exceed the operating range of the outdoor unit, model AOU48RLXFZ, there is an easy way to integrate an automated heating system changeover circuit so that a secondary heating source can be brought **ON** seamlessly. By adding a third party device and using the emergency stop function, you are able to shut the system off and turn on a secondary heat source when outdoor ambient falls below operating ranges. A wire kit part number UTY-XWZXZ3 is required to use this function, along with a third party device. Fujitsu tested this function using the following control: 16E09-101 Emerson Universal electronic temperature control.

NOTE: The system will have to be turned on manually by a remote once the ambient temperatures are within operating range.



NOTE: You need to use function F2 mode.
Function number 20, setting number 01.
I/O connector CN934.
For instruction on setting functions refer to the install manual.

Caution: Turn off power when making wire connections.

NOTE: The system will have to be turned on manually by a remote once the ambient temperatures are within operating range.