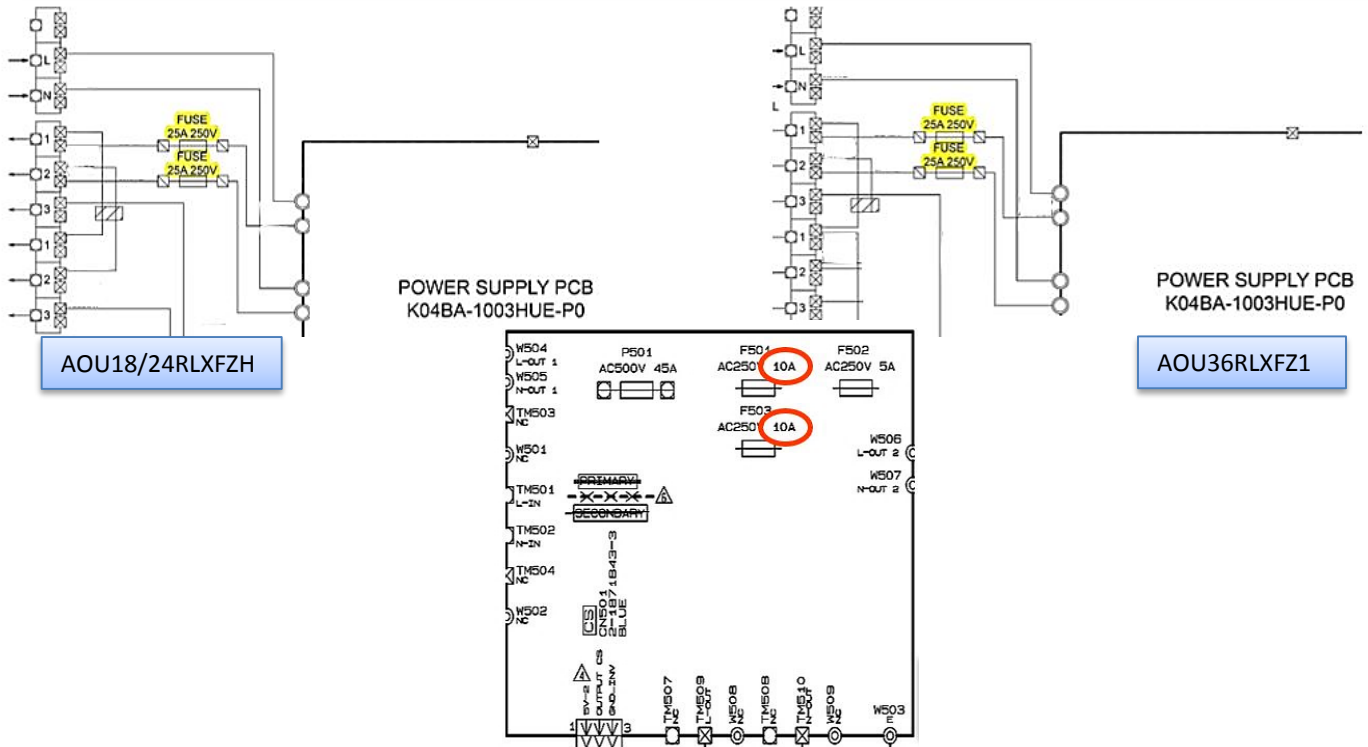


Fuses on Multi-Zone Condensers

In our Service Manuals, we show several different types of fuse sizes for the model numbers mentioned below. However, what is referenced in the manuals and what is actually installed on the equipment does not match up for some of our multi-zone condensers.

The fuse size that is in-line with terminals 1 & 2 of the terminal block on the condensers are 2x 10a fuses despite what the Service Manuals show.

- AOU18RLXFZ – manual shows 2x 10a
- AOU24RLXFZ – manual shows 2x 10a
- AOU18RLXFZH – manual shows 2x 25a
- AOU24RLXFZH – manual shows 2x 25a
- AOU36RLXFZ – manual shows 2x 10a
- AOU36RLXFZ1 – manual shows 2x 25a
- AOU36RLXFZH – manual does not specify
- AOU45RLXFZ – manual does not specify



Service manuals will be updated in the future to reflect the updated changes.

Reminder:

For safety purposes, all field work must be performed by a licensed electrician.