



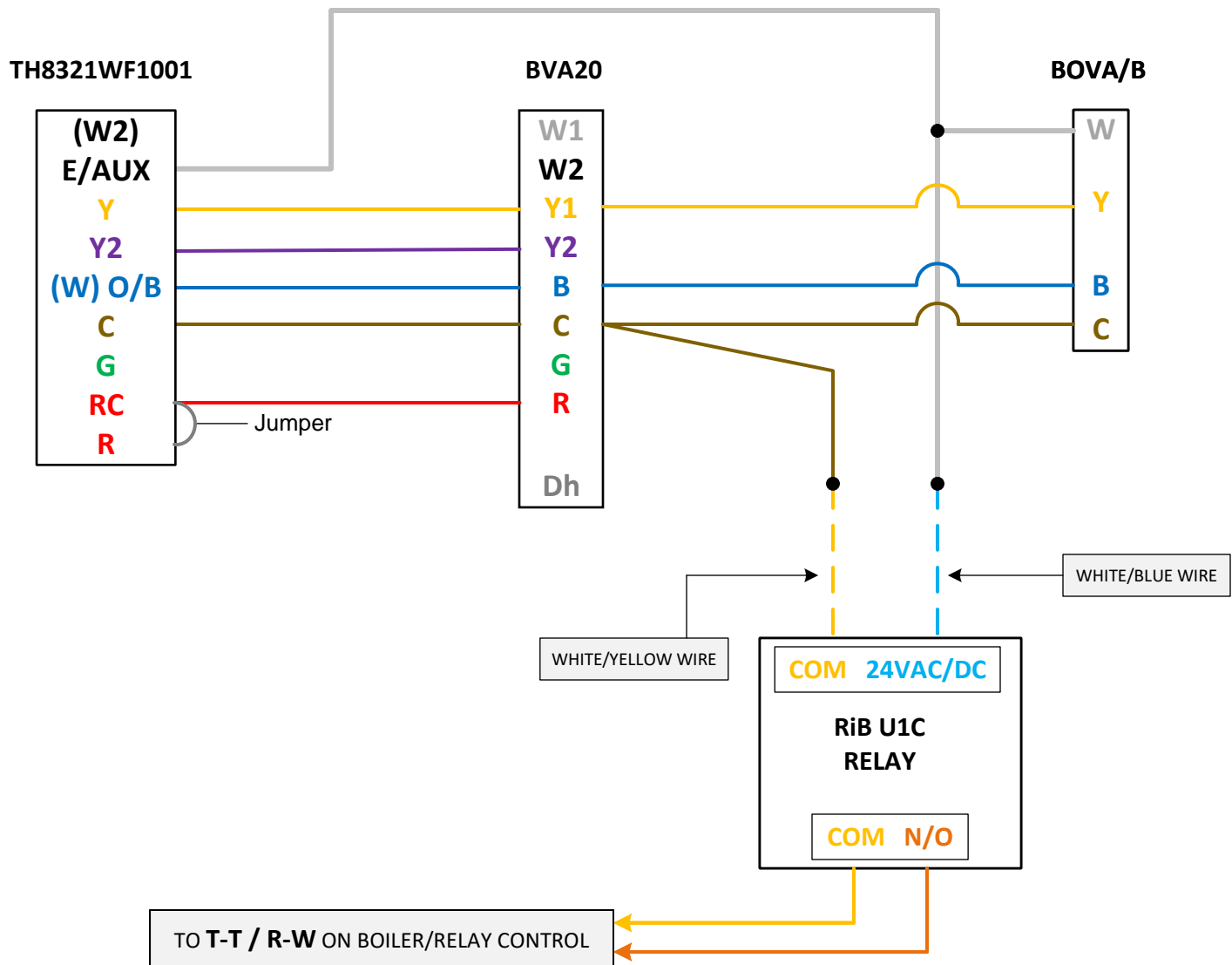
# TSS Associates, Inc.

# Honeywell

For further assistance, please contact  
Honeywell directly for Tech Support

---

1-800-633-3991



**NOTES:**

For applications with a boiler as auxiliary heat, piped to baseboard, radiators, radiant, etc.

The BVA20 will activate the fan on a call for cooling or heat pump based on 24VAC to **Y** or **B** and the corresponding coil temperature. Do not wire G as thermostat may call air handler on when unwanted.

**TSS Associates, Inc.**

**DESCRIPTION**

Honeywell Vision Pro 8000 - IDS - Boiler Heat Back-up

DATE: 10/13/2022

PAGE: 1 of 3

**PARAMETERS:**

- 106 - Outdoor Temp - Set to **Wired/Internet**
- 200 - Heating System - Set to **Heat Pump**
- 201 - Heat Equipment - Set to **Air-to-Air Heat Pump**
- 206 - Reversing Valve - Set to **O/B on Heat**  
(O/B terminal)
- 207 - Cool/Compressor Stages - Set to **2**
- 212 - Backup Heat Type - Set to **Gas/Oil**
- 213 - Backup Heat Stages - Set to **1**
- 216 - Backup Heat Fan - Set to **Equip Controls Fan**
- 219 - External Fossil Fuel Kit - Set to **No**
- 300 - System Changeover - Set to **Manual**
- 301 - Control Options - Set to **Basic Options**
- 308 - Backup Heat Droop - Set to **4°F**
- 311 - Upstage Timer for Backup Heat - Set to **45 minutes**
- 312 - Outdoor Lockout Heat Pump - Set to **20°F**  
(Balance Point)
- 312 - Outdoor Lockout Backup Heat - Set to **50°F**
- 314 - Cool Cycles Per Hour Stage 1 - Set to **1**
- 314 - Cool Cycles Per Hour Stage 2 - Set to **1**
- 316 - Backup Heat Cycles Per Hour - Set to **1**
- 324 - Compressor Off Time - Set to **Off**
- 409 - Adaptive Intelligent Recovery - Set to **Yes**
- 340 - Remote sensor - Set to **2 = Outdoor sensor for control**
- 500 - Wired Outdoor Sensor - Set to **Yes** if using wired outdoor sensor, otherwise set to **No**

\*\*All other setpoints should be left to Factory Settings unless any optional equipment has been added to system or based upon customer preference\*\*

NOTES:

**TSS Associates, Inc.**

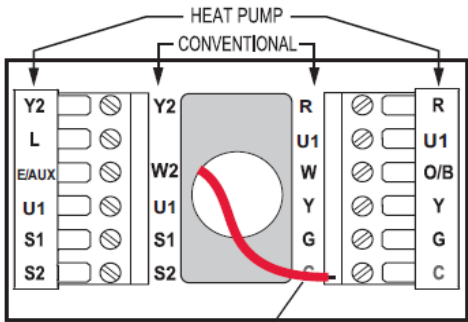
DESCRIPTION

Honeywell Vision Pro 8000 - **IDS** - Boiler Heat Back-up

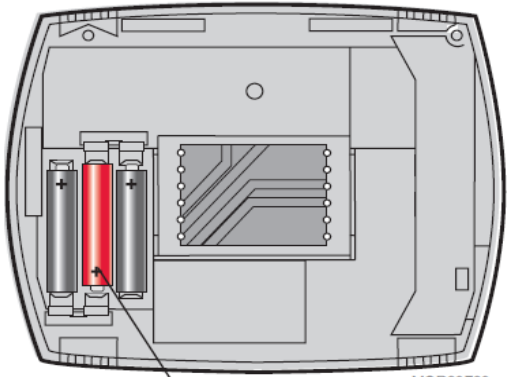
DATE: 10/13/2022

PAGE: 2 of 3

**Power options**



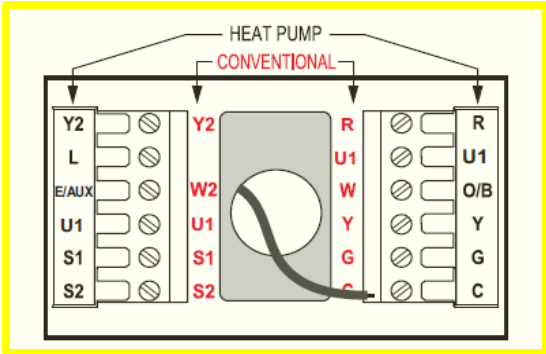
For 24VAC primary power, connect common side of transformer to "C" terminal.



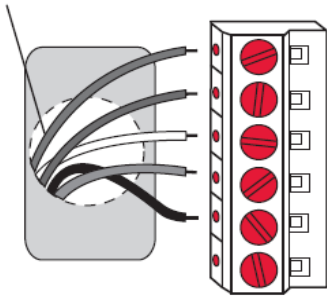
Insert supplied batteries for primary or backup power.

MCR29723

**Wiring**



Push excess wire back into the wall opening. Plug wall opening with non-flammable insulation.



MCR29724

**Terminal Designations**

- Conventional Terminal Letters:**
- R** System power. Connect to secondary side of system transformer.
  - C** Common wire from secondary side of transformer.
  - W** 1st stage heat relay.
  - W2** 2nd stage heat relay.
  - Y** 1st stage compressor contactor.
  - Y2** 2nd stage compressor contactor.
  - G** Fan relay.
  - S1/S2** Optional outdoor/remote/discharge sensor.
  - U1/U1** Optional IAQ device

- Heat Pump Terminal Letters:**
- R** System power. Connect to secondary side of system transformer.
  - C** Common wire from secondary side of system transformer.
  - Y** 1st stage compressor contactor.
  - Y2** 2nd stage compressor contactor.
  - E/Aux** Auxiliary/Emergency heat relay.
  - G** Fan relay.
  - L** Heat pump reset (powered continuously when System is set to Em Heat; system monitor when set to Heat, Cool or Off).
  - O/B** Changeover valve for heat pumps.
  - S1/S2** Optional outdoor/remote/discharge sensor.
  - U1/U1** Optional IAQ device

NOTES:

**TSS Associates, Inc.**

DESCRIPTION  
Honeywell Vision Pro 8000 - IDS - Boiler Heat Back-up