



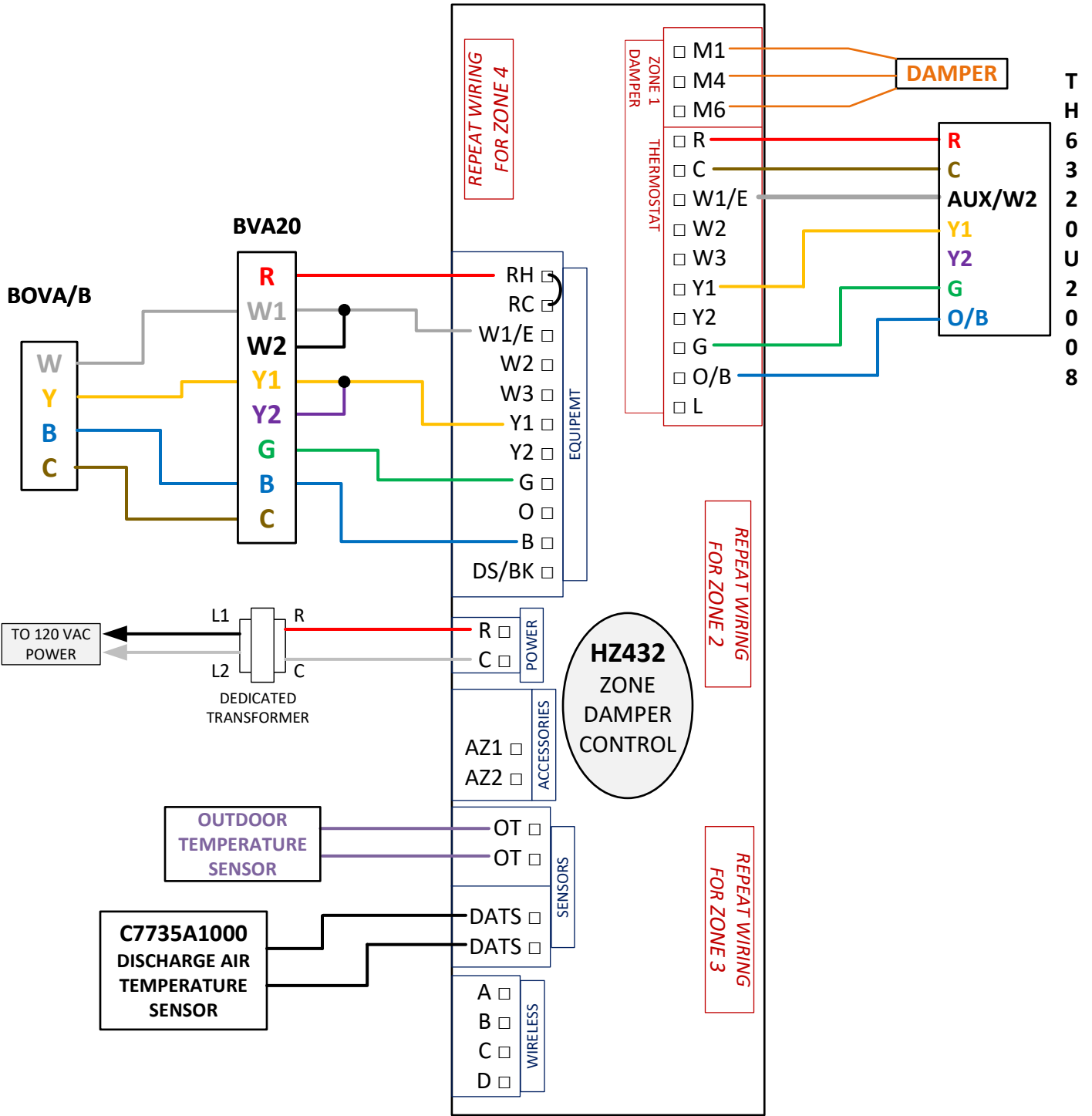
# TSS Associates, Inc.

# Honeywell

For further assistance, please contact  
Honeywell directly for Tech Support

---

1-800-633-3991



**NOTES:**

- DO **NOT** USE **W** ON THERMOSTATS -
- For Electric Back-up Applications -

**TSS Associates, Inc.**

DESCRIPTION

HONEYWELL T6 & HZ432 – IDS – AIR HANDLER

DATE: 12/16/2022

PAGE: 1 of 2

**THERMOSTAT PARAMETERS:**

- 130 - Outdoor Temp. - Set to **0**
- 200 - System Type - Set to **2 = Heat Pump**
- 205 - Equipment Type - Set to **7 = Air To Air**
- 218 - Reversing Valve - Set to **1 = O/B on Heat**
- 220 - Cool Stages - Set to **1**
- 221 - Aux/E Stages - Set to **1**
- 253 - Aux/E Control - Set to **0 = Both**
- 255 - Aux Heat Type - Set to **1 = Electric**
- 260 - Fossil Fuel Kit - Set to **0 = Thermostat**
- 300 - System Changeover - Factory set to **0 = Manual**
- 340 - Aux Heat Droop - Set to **5°F**
- 350 - Upstage Timer - Factory set to **0 = Off**
- 365 - Cool 1 CPH - Compressor cycle rate, Set to **1 CPH** (Cycles Per Hour)
- 375 - Aux Heat CPH - Set to **1 CPH**
- 387 - Compressor Protection - Set to **Off**
- 425 - Adaptive Recovery - Set to **On**

*\*\*All other setpoints should be left to Factory Settings unless any optional equipment has been added to system or based upon customer preference\*\**

**ZONE CONTROL PARAMETERS:**

- SYSTEM TYPE: **[HEATPUMP]**
- DUAL FUEL OPER: **[NO]**
- COMPRESSOR STAGES: **[1]**
- AUX HT OPER: **[YES]**
- AUX HT STAGES: **[1]**
- RF ENABLED: **[NO]** *\*\*THIS OPTION IS ONLY USED IF YOU ARE INSTALLING WIRELESS CONTROLLERS\*\**
- ZONES INSTALLED: **SELECT APPROPRIATE NUMBER OF ZONES BEING USED**
- ZONE1 TSTAT TYPE: **[HTPUMP-B]** → REPEAT THIS SELECTION FOR EACH ZONE
- STAGE 2 CONTROL: **[TIMER]**
- STAGE 3 CONTROL: **[OFF]**
- ADVANCED CONFIG? **[YES]** → HEAT FAN CONTROL: **[HVAC]**
- STAGE 2 TIMER: **[60]**
- DISCHARGE SENSOR: **[YES]**
- DAT HIGH LIMIT: **[145]**
- OT SENSOR: **[YES]**
- OT BALANCE TEMP: **[0]**
  
- SAVE CHANGES? **[YES]**

NOTES:

Some of the thermostat parameters may not come up during initial set-up. Once at 'home' screen, press and hold 'Menu' button for 5 seconds and go into 'Device Settings' to configure remaining parameters.

**TSS Associates, Inc.**

DESCRIPTION

HONEYWELL T6 & HZ432 – IDS – AIR HANDLER

DATE: 12/16/2022

PAGE: 2 of 2