



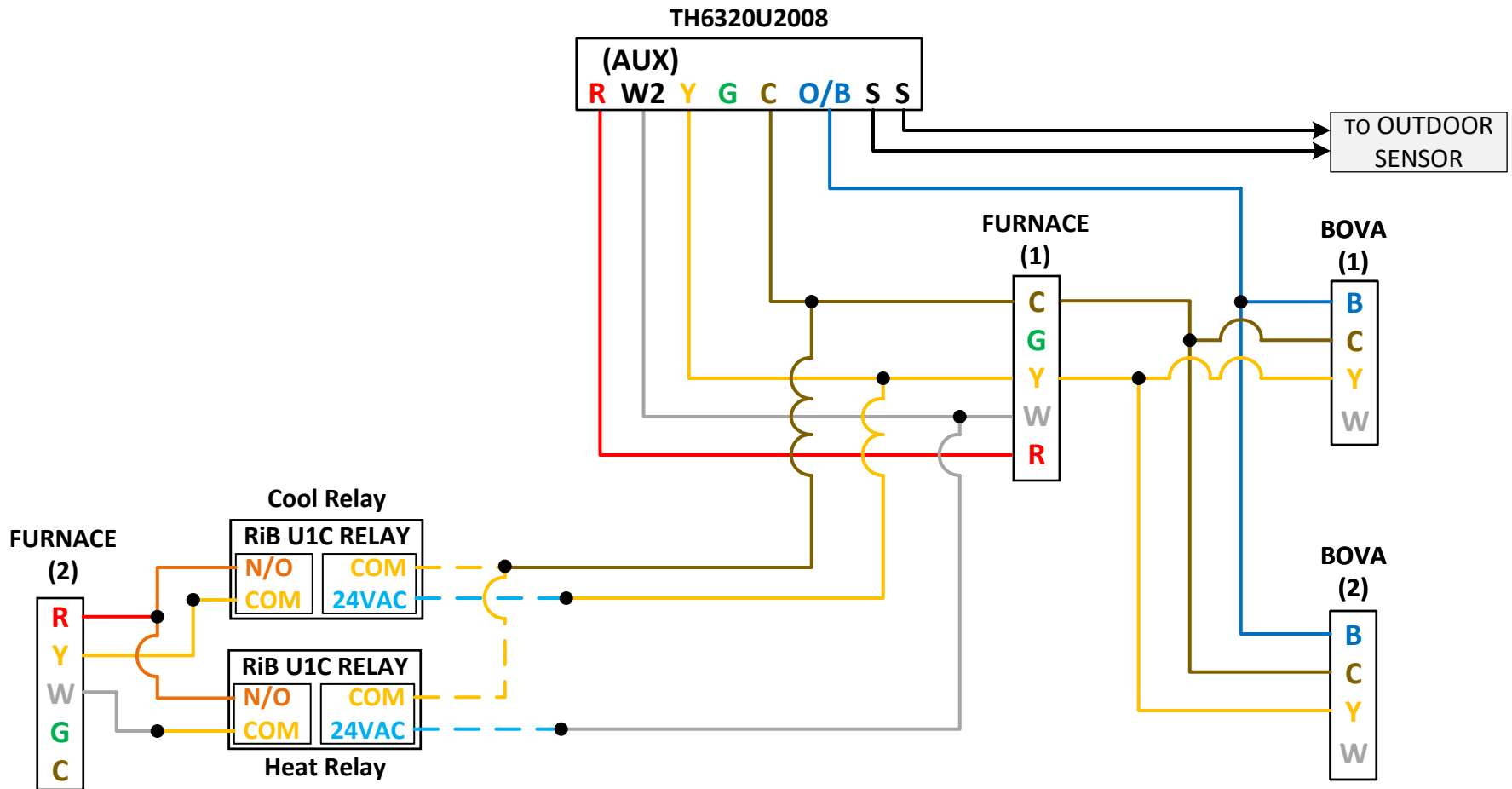
# TSS Associates, Inc.

# Honeywell

For further assistance, please contact  
Honeywell directly for Tech Support

---

1-800-633-3991



NOTES:

**TSS Associates, Inc.**

DESCRIPTION  
Honeywell T6 Pro - IDS – Furnace (Twin)

DATE: 12/27/2022 PAGE: 1 of 2

**THERMOSTAT PARAMETERS:**

- 130 - Outdoor Temp. - Set to **1 = Wired Outdoor Sensor**
- 200 - System Type - Set to **2 = Heat Pump**
- 205 - Equipment Type - Set to **7 = Air To Air**
- 218 - Reversing Valve - Set to **1 = O/B on Heat**
- 220 - Cool Stages - Set to **1**
- 221 - Aux/E Stages - Set to **1**
- 253 - Aux/E Control - Set to **0 = Both**
- 255 - Aux Heat Type - Set to **2 = Gas/Oil**
- 260 - Fossil Fuel Kit - Set to **0 = Thermostat**
- 300 - System Changeover - Factory set to **0 = Manual**
- 340 - Aux Heat Droop - Set to **5°F**
- 350 - Upstage Timer - Set to **2 = 45 minutes**
- 355 - Compressor Lockout/  
Balance Point - Set to **35°F**
- 365 - Cool 1 CPH - Compressor cycle rate, Set to **1 CPH** (Cycles Per Hour)
- 375 - Aux Heat CPH - Set to **1 CPH**
- 387 - Compressor  
Protection - Set to **0 = Off**
- 425 - Adaptive Recovery - Set to **1 = Yes**

*\*\*All other setpoints should be left to Factory Settings unless any optional equipment has been added to system or based upon customer preference\*\**

NOTES:

**TSS Associates, Inc.**

DESCRIPTION

Honeywell T6 Pro - **IDS** – Furnace (Twin)

DATE: 12/27/2022

PAGE: 2 of 2