



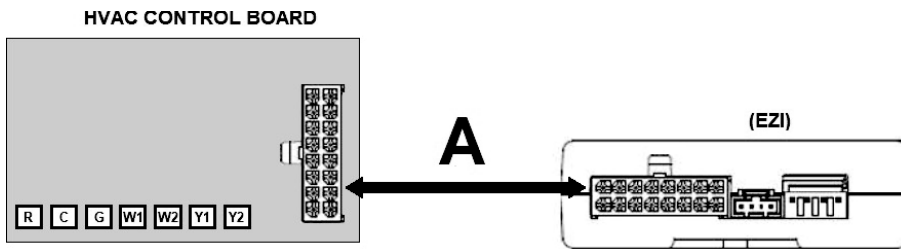
# EZI Thermostat Adaptor

**NOTICE**

The EZI Thermostat Adaptor has been provided as an accessory to ease installation when direct connections from the EZ16 to the control board thermostat terminals is required.

WHEN TO USE	WHY TO USE
Use the EZI adaptor in the following conditions: 1.) If motor does not start with standard installation and setup checking 24vac and PWM 2.) If motor starts but you are unable to adjust the speed of the motor.	*Provides ease of connection to the control board without having to modify existing harness. *The 7-lead wires will connect to the control board as shown below.

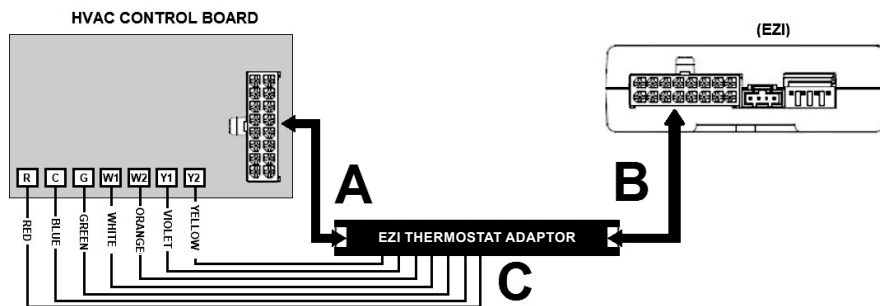
### EZI connected to the HVAC control board



A. Connect the HVAC system 16-pin harness to the EZI Thermostat Adaptor.

B. Connect the other end of the EZI Thermostat Adaptor to the EZI Box.

### EZI Thermostat Adaptor connected to the HVAC control board & EZI



C. Connect the seven leads from the HVAC Control Board, as shown below.

Single Stage Heat & A/C	Two Stage Heat & A/C	Two Stage Heat with Single Stage A/C	Single Stage Heat with Two Stage A/C																																																								
<table border="1"> <tr><td>PIN 14: YELLOW</td><td>Y/Y2</td></tr> <tr><td>PIN 6: VIOLET</td><td></td></tr> <tr><td>PIN 2: WHITE</td><td>W/W1</td></tr> <tr><td>PIN 13: ORANGE</td><td></td></tr> <tr><td>PIN 15: GREEN</td><td>G</td></tr> <tr><td>PIN 12: RED</td><td>R</td></tr> <tr><td>PIN 1: BLUE</td><td>COM</td></tr> </table>	PIN 14: YELLOW	Y/Y2	PIN 6: VIOLET		PIN 2: WHITE	W/W1	PIN 13: ORANGE		PIN 15: GREEN	G	PIN 12: RED	R	PIN 1: BLUE	COM	<table border="1"> <tr><td>PIN 14: YELLOW</td><td>Y2</td></tr> <tr><td>PIN 6: VIOLET</td><td>Y1</td></tr> <tr><td>PIN 2: WHITE</td><td>W1</td></tr> <tr><td>PIN 13: ORANGE</td><td>W2</td></tr> <tr><td>PIN 15: GREEN</td><td>G</td></tr> <tr><td>PIN 12: RED</td><td>R</td></tr> <tr><td>PIN 1: BLUE</td><td>COM</td></tr> </table>	PIN 14: YELLOW	Y2	PIN 6: VIOLET	Y1	PIN 2: WHITE	W1	PIN 13: ORANGE	W2	PIN 15: GREEN	G	PIN 12: RED	R	PIN 1: BLUE	COM	<table border="1"> <tr><td>PIN 14: YELLOW</td><td>Y2</td></tr> <tr><td>PIN 6: VIOLET</td><td></td></tr> <tr><td>PIN 2: WHITE</td><td>W1</td></tr> <tr><td>PIN 13: ORANGE</td><td>W2</td></tr> <tr><td>PIN 15: GREEN</td><td>G</td></tr> <tr><td>PIN 12: RED</td><td>R</td></tr> <tr><td>PIN 1: BLUE</td><td>COM</td></tr> </table>	PIN 14: YELLOW	Y2	PIN 6: VIOLET		PIN 2: WHITE	W1	PIN 13: ORANGE	W2	PIN 15: GREEN	G	PIN 12: RED	R	PIN 1: BLUE	COM	<table border="1"> <tr><td>PIN 14: YELLOW</td><td>Y2</td></tr> <tr><td>PIN 6: VIOLET</td><td>Y1</td></tr> <tr><td>PIN 2: WHITE</td><td>W1</td></tr> <tr><td>PIN 13: ORANGE</td><td>W2</td></tr> <tr><td>PIN 15: GREEN</td><td>G</td></tr> <tr><td>PIN 12: RED</td><td>R</td></tr> <tr><td>PIN 1: BLUE</td><td>COM</td></tr> </table>	PIN 14: YELLOW	Y2	PIN 6: VIOLET	Y1	PIN 2: WHITE	W1	PIN 13: ORANGE	W2	PIN 15: GREEN	G	PIN 12: RED	R	PIN 1: BLUE	COM
PIN 14: YELLOW	Y/Y2																																																										
PIN 6: VIOLET																																																											
PIN 2: WHITE	W/W1																																																										
PIN 13: ORANGE																																																											
PIN 15: GREEN	G																																																										
PIN 12: RED	R																																																										
PIN 1: BLUE	COM																																																										
PIN 14: YELLOW	Y2																																																										
PIN 6: VIOLET	Y1																																																										
PIN 2: WHITE	W1																																																										
PIN 13: ORANGE	W2																																																										
PIN 15: GREEN	G																																																										
PIN 12: RED	R																																																										
PIN 1: BLUE	COM																																																										
PIN 14: YELLOW	Y2																																																										
PIN 6: VIOLET																																																											
PIN 2: WHITE	W1																																																										
PIN 13: ORANGE	W2																																																										
PIN 15: GREEN	G																																																										
PIN 12: RED	R																																																										
PIN 1: BLUE	COM																																																										
PIN 14: YELLOW	Y2																																																										
PIN 6: VIOLET	Y1																																																										
PIN 2: WHITE	W1																																																										
PIN 13: ORANGE	W2																																																										
PIN 15: GREEN	G																																																										
PIN 12: RED	R																																																										
PIN 1: BLUE	COM																																																										